

# Gossen®

an American Original Since 1928

Gossen's family of WeatherReady exterior building materials draws upon an unparalleled 80-year history of industry leadership in the world of cellular PVC profiles and building products.

In the 1960's, Gossen became the first manufacturer of cellular PVC in the United States to develop the "free expansion" extrusion process.

Today, Gossen Corporation is one of the largest extruders of cellular PVC profiles in America.

There are many "newcomers" to the PVC market but only one American Original with the experience and the technology to get "ahead" of the curve, and that is Gossen.

Unlike wood or wood / plastic composite decking, WeatherReady Exterior Building products will not rot, cup, splinter, bow, stain, warp or decay.

It resists mold and fungus and will not absorb moisture.

They are made of weatherable compounds high in UV protection to resist the elements

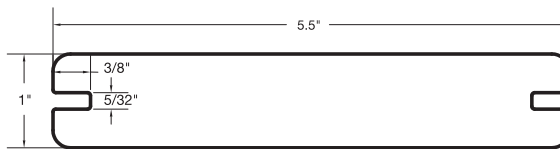
WeatherReady Deck has a Class A Flame Spread Rating and will not support flame when the source is removed.

Thank you for choosing Gossen.

For more ideas and a complete listing of Gossen products, visit our website; [www.GetWeatherReady.com](http://www.GetWeatherReady.com).

## Warranty

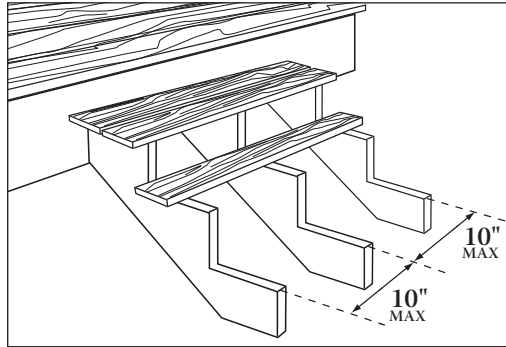
The website also contains a complete library of current Gossen's product warranties.



## Expansion & Contraction

WeatherReady™ Decking, when installed with 2 screws per joist, will have minimal expansion and contraction. There will be no side-to-side movement and only a slight end-to-end change.

- **It is essential to fasten the boards as soon after cutting as possible.**
- If unfastened boards are exposed to extreme heat they could experience some minor contraction.
- Boards must be fastened with two screws no more than 1" from the ends.

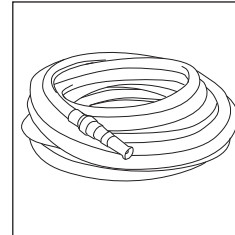


## Stair Treads

- Install the deck boards no more than 10 inches on center.
- Use stainless steel screws #8, 2 ¼ inches long.
- Do not use hidden fasteners.
- Overhang should not exceed ½ inch.

## Cleaning

Mild soap and a garden hose will clean up the deck in most cases. If a stain proves particularly stubborn, a diluted chlorine bleach solution (about 4:1 water to bleach) should do the trick. Avoid placing black rubber mats on the deck as they can discolor the deck surface. If this occurs, heating the area with a heat gun should restore the surface appearance. Also, **do not use red chalk lines during construction**, as they are permanent chalk stains.



# Gossen®

For more ideas, visit our website: [www.GetWeatherReady.com](http://www.GetWeatherReady.com)

Customer Support: 800-558-8984 • Main Office: 414-228-9800 • Fax: 414-228-0342  
©2009 Gossen Corporation 2030 West Bender Road • Milwaukee, WI 53209 All Rights Reserved

# INSTALLATION GUIDELINES AND TIPS

weather  
READY®

Exterior building materials by Gossen

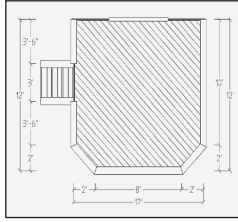
weather  
READY

# DECKING

Gossen Cellular PVC Building Products

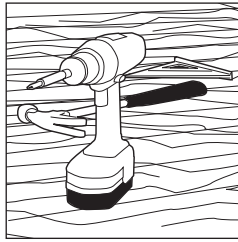
## Before You Begin

If you are familiar with deck design and construction, you will find that using WeatherReady™ Decking is virtually the same as building a wooden deck. In fact, most people find it easier and less labor intensive. As with all decks, careful planning yields the best results. Each deck design is different and while we cannot anticipate every possible situation, these instructions reflect “best” practices for a basic installation. Be sure to consult and follow all local building codes and regulations. If you are unsure, please consult a local architect, engineer or builder. The deck builder is solely responsible for all code compliance.



## Tools Needed

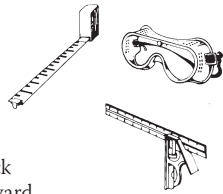
- Circular saw using a carbide-tipped fine tooth or 20 grit diamond-tipped blade.
- Screw gun (either cordless or corded). You can use a self-feeding screw system.
- Tape measure.
- Carpenters square.
- Blue (only) chalk line.
- Safety glasses.



## Fasteners

With a quality WeatherReady™ deck, you should always use stainless steel fasteners.

- Use a #8 screw a minimum of 2 1/4 inches long.
- Above 5,000 feet, use a #8 screw 3 inches long.
- Flat or trim head fasteners are an excellent choice.

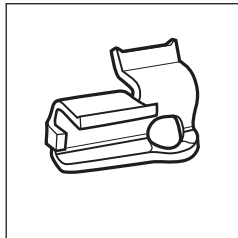


Screws with colored heads matching the deck boards are available from your local lumberyard.

## Hidden Fastener

WeatherReady™ Deck is available with an optional factory grooved edge designed for a hidden fastener. This choice provides the most attractive and one of the easiest installations.

- Use the Tiger Claw® model TC G stainless steel fastener. Follow the Tiger Claw® TC G installation instructions included in their packaging or refer to their web site at [www.TigerClaw.com](http://www.TigerClaw.com) for complete information.

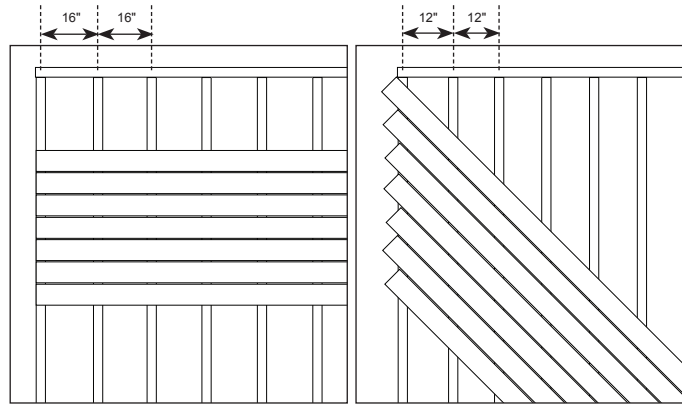
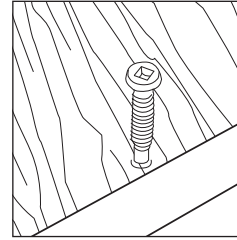


**Use of other hidden fastener systems may allow excessive board movement.**

## Material Requirements

After designing your deck, calculate the square footage. If your deck is a rectangle, square footage (area) equals width x length. If you are using 12-foot boards, divide the square footage by 5.5; for 16 foot boards divide by 7.3 and for 20-foot boards, use 9.2. These calculations give you the number of boards you will need. Be sure to always round up and add a little more for scrap. And always **measure twice – cut once.**

For example: 20 foot x 20 foot deck = 400 sq. ft. divided by 5.5 (if using 12' boards) = 72.7 boards. Round up and add for scrap and you are all set.



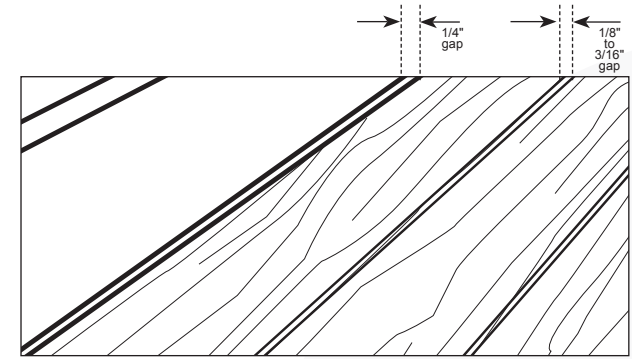
## Joist Substructure

Gossen WeatherReady™ Decking is not designed for structural framing of the deck or for railing supports. Follow local codes and best building practices for your deck framing construction.

Joists should be 2 inch x 8 inch or larger and joist spacing should not exceed 16 inch center-to-center for residential projects. Cellular PVC deck boards are slightly more flexible than treated wood boards. For greater rigidity consider closer joist spacing. Use 12 inch on center spacing for commercial installations or 45 degree herringbone patterns. Be sure to allow for proper drainage (1/16 inch slope per foot away from the house) as well as ventilation under the deck. Again, your local codes will help you determine your specific requirements.

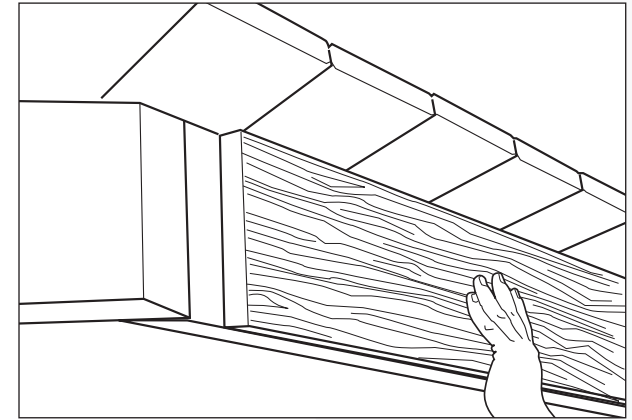
If you are installing heavy loads on the deck such as hot tubs, consult with the manufacturer's requirements for any special support needs.

Installation of enclosed water shed systems under the deck must be properly vented.



## Board Spacing Requirements

- Side-to-side gap of 1/8 to 3/16 inches between boards will allow for proper drainage.
- Allow a 1/4 inch gap between the boards and any solid structure (wall or post).



## RimBoard with CleanEdge™ (fascia)

Designed to cover rim joist, each board is smooth on one side and textured on the other allowing for greater flexibility. Choose the look you like best.

- 5/8 inch thick, 12 feet long and 7 1/4, 9 1/4 or 11 1/4 inches wide.
- Use 2 screws every 16 inches for the 7 1/4 and 9 1/4 wide boards.
- Use 3 screws every 16 inches for 11 1/4 inch wide boards.
- Fasten top and bottom of the board within 1 1/2 inches of the edge.
- Combining screws and adhesive can be very effective.